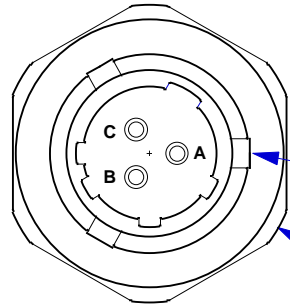


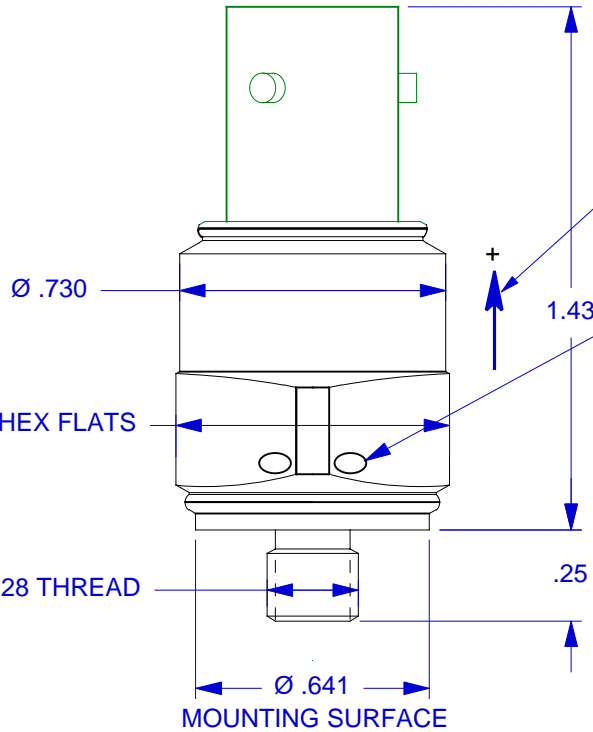
MODEL NUMBER	SENSITIVITY
3062A	10 mV/G
3062A1	25 mV/G

PINOUT:
 PIN A-CASE GROUND
 PIN B-SIG/PWR GND RET
 PIN C-SIG/PWR



3-PIN BAYONET STYLE
 MS3443-H-8-98PN
 CONNECTOR, HERMETIC

Ø .811, HEX CORNERS

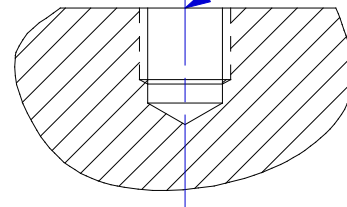


ARROW INDICATES SENSE AND
 DIRECTION OF ACCELERATION FOR
 POSITIVE-GOING OUTPUT VOLTAGE

.047 DIA LOCKWIRE HOLES,
 TYP 2 HOLES

**MOUNTING SURFACE
 PREPARATION:**

PREPARE FLAT CIRCULAR AREA
 APPROX. Ø.750, FLAT TO WITHIN
 .0005 T.I.R. AT CENTER, DRILL
 Ø.213 X .320 DEEP MIN
 BOTTOM TAP 1/4-28 UNF-2B X
 .270 DEEP MIN



5. MATERIAL, BODY & CONNECTOR: 300 SERIES STAINLESS STEEL.
4. SENSING ELEMENT: QUARTZ SHEAR.
3. POWER/SIGNAL GROUND INSULATED FROM OUTER CASE. INSUL. RES: > 10 MEGOHMS.
2. SEALING: HERMETIC.
1. WEIGHT: MODEL 3062A: 37 GRAMS. (A)
 MODEL 3062A1: 40 GRAMS. (A)



CHATSWORTH, CA.

SCALE	2X	REV	B	DATE	2-10-03	ECN	-
DATE	9/3/96		PART NO.	MODELS 3062A & 3062A1			
DRAWN	N.C.	CHECKED	D.Z.	MAT'L			
APPROVED			NEXT ASSEMBLY	USED ON			
TITLE	OUTLINE/INSTALLATION DRAWING, MODELS 3062A & 3062A1					DWG NO.	127-3062A
						SHEET	1 OF 1

SPECIFICATIONS
MODEL 3062A1 LIVM ACCELEROMETER

SPECIFICATION	VALUE	UNITS
PHYSICAL		
WEIGHT	40	Grams
SIZE, HEX x HEIGHT	.750 x 1.4	Inches
MOUNTING PROVISION	1/4-28 x .250 long integral stud	
CONNECTOR, AXIALLY MOUNTED, HERMETIC (Pin A-case ground, Pin B-sig/pwr return, Pin C-signal/power)	MS3443-H-8-98PN	3-Pin
MATERIAL: HOUSING, BASE, CONNECTOR	300 Series	Stainless Steel
ELEMENT STYLE	Quartz shear	
PERFORMANCE		
SENSITIVITY, $\pm 5\%$ [1]	25	mV/G
RANGE F.S. FOR ± 5 VOLTS OUT	± 200	G's
FREQUENCY RANGE, $\pm 5\%$	0.48 to 10k	Hz
$\pm 15\%$	0.32 to 20k	Hz
RESONANT FREQUENCY, NOM.	40	kHz
EQUIVALENT ELECTRICAL NOISE FLOOR	.0002	G's RMS
LINEARITY [2]	$\pm 1\%$	% F.S.
TRANSVERSE SENSITIVITY, MAX.	5	%
STRAIN SENSITIVITY	.003	G's/ μ
ENVIRONMENTAL		
MAXIMUM VIBRATION/SHOCK (3062A1)	600/3000	\pm G's PEAK
TEMPERATURE RANGE	-60 to +305	
$^{\circ}$ F		
SEAL, HERMETIC	Glass-to-metal and TIG welded	
COEFFICIENT OF THERMAL SENSITIVITY	.03	%/ $^{\circ}$ F
ELECTRICAL		
SUPPLY CURRENT/COMPLIANCE VOLTAGE RANGE [3]	2 to 20/+14 to +30	mA/Volts
OUTPUT IMPEDANCE, TYP.	100	Ohms
BIAS VOLTAGE, +8 VOLTS NOM.	+7 to +9	VDC
DISCHARGE TIME CONSTANT, NOM.	1.0	SEC
OUTPUT SIGNAL POLARITY FOR ACCELERATION TOWARD TOP		POSITIVE
ELECTRICAL ISOLATION, Ground (Pin B) to Case	10	Megohms, min.

[1] Measured at 100 Hz, 1 G RMS per ISA RP 37.2.

[2] Measured using zero-based best straight line method, % of F.S. or any lesser range.

[3] Do not apply power to this device without current limiting, 20 mA MAX. To do so will destroy the Integral IC amplifier.

Notes: 1.) Lock wire holes included in base